



Spare parts list

(16017010) K 3.67MD PLUS

2006 10

59706220

www.kaercher.com

EN

CONTENT LIST

1.0 Housing

2.0 Pump set

2.1 Housing

2.2 Thrust guidance

3.0 Motor

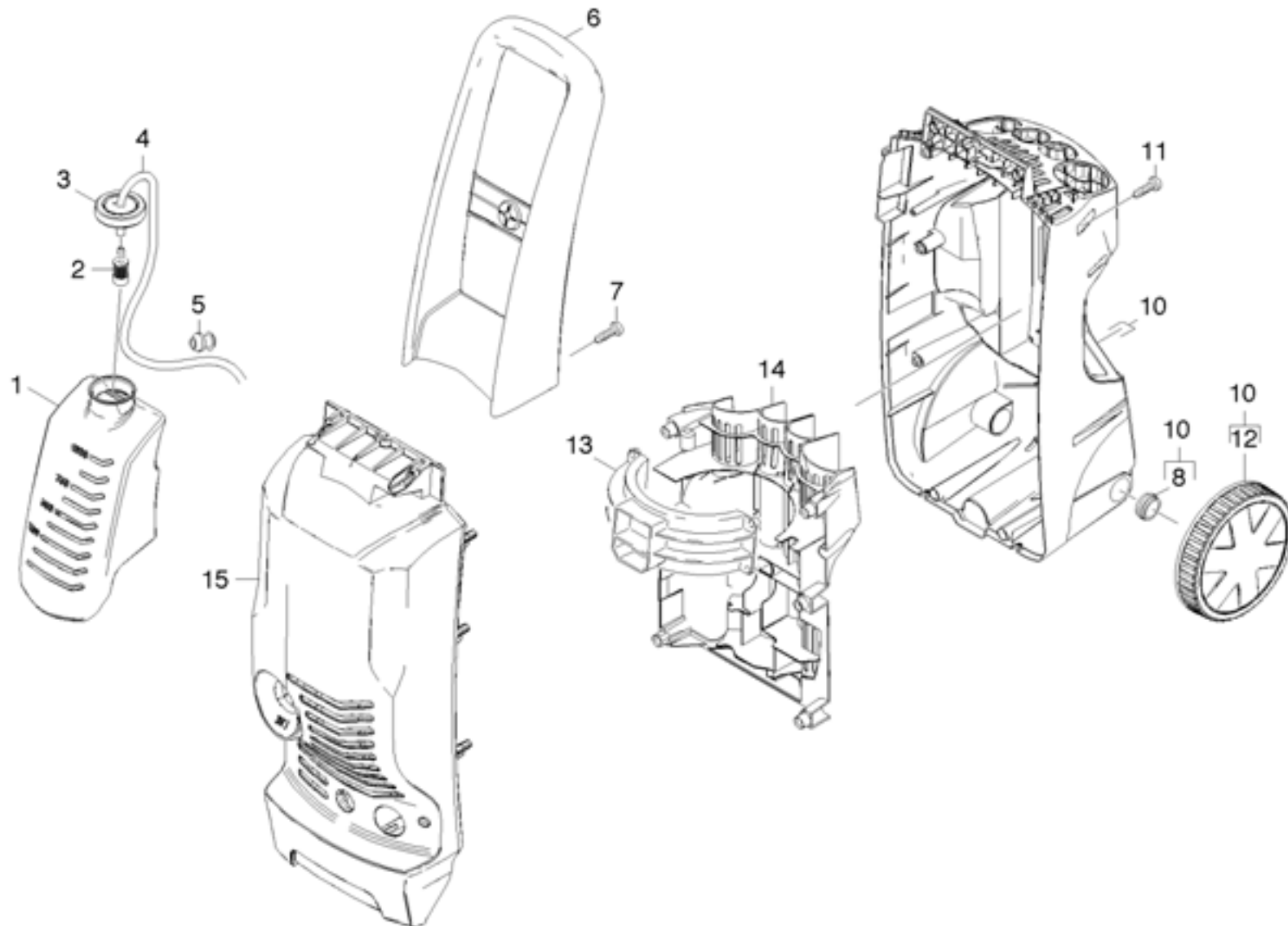
4.0 Accessories

4.1 Hand trigger gun

4.2 Jet pipe

5.0 Electric box

1.0 Housing



1.0 Housing

POS	DESCRIPTION ADDITIONAL INFORMATIONS	PART NO	QTY.	FROM SER.NR.	UP TO SER. NR.
1	Detergent tank	97603880	1		
2	Filter with weight	57316090	1		
3	Detergent tank cap	97603890	1		
4	Hose DN 5 TO ORDER AS CUT GOODS	63882160	1		
5	Detergent hose bushing	97603900	1		
6	Handle W305/K3.67	97603950	1		
7	Screw	90861820	2		
8	Plug	90367270	2		
10	Chassis rear complete K 3.67	97760350	1		
11	Screw Hi-Lo d.4x22 Torx-d.7,5	90861730	8		
12	Wheel set	97760360	1		
13	Motor holder K3.9X-Upright	90367230	1		
14	Moulded part	90367220	1		
15	Front cover K3.67	97603920	1		

2.0 Pump set

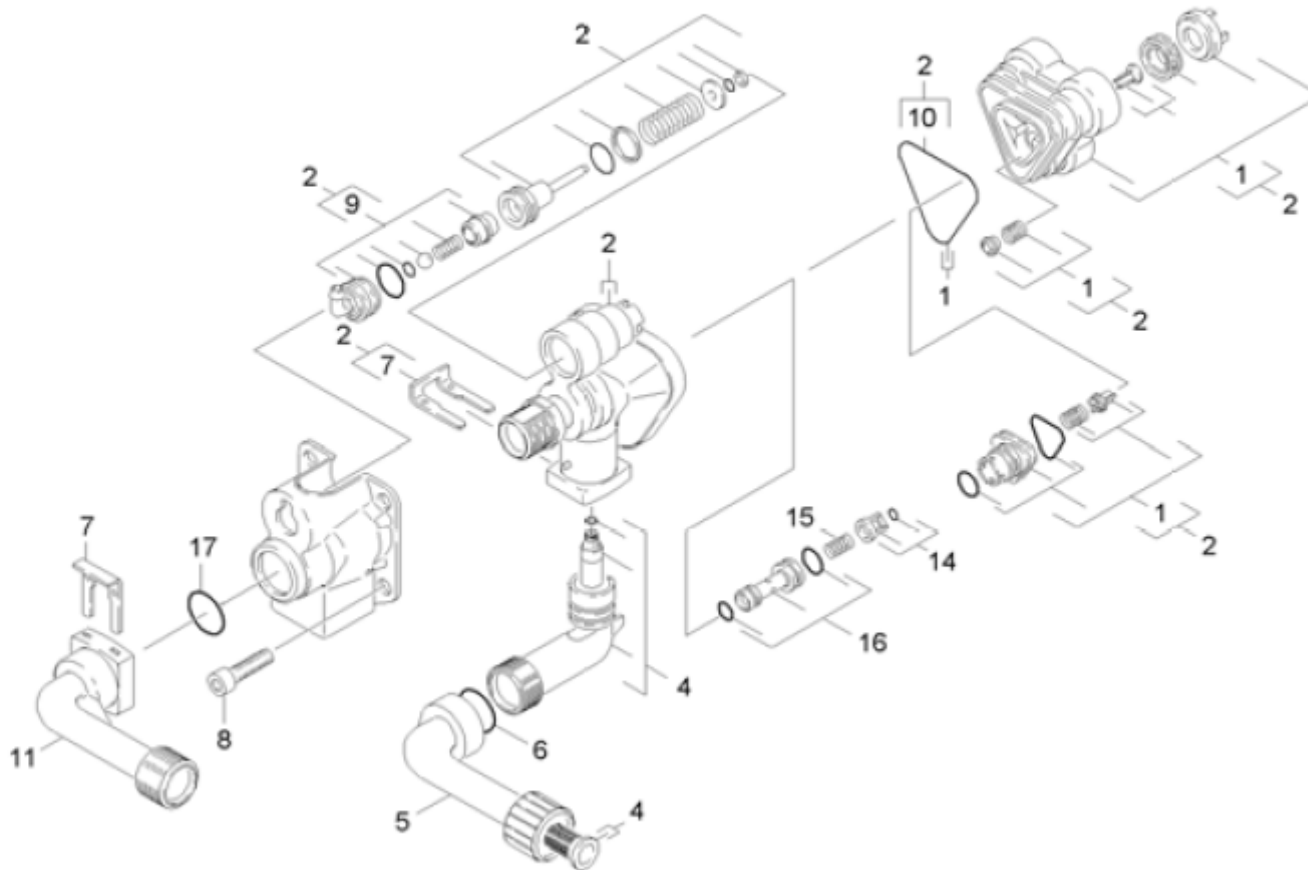
2.1 Housing

2.2 Thrust guidance



#9 Detergent Inlet Assembly: Showing a 90 degree nipple to attach the detergent suction hose. This picture is **INCORRECT**. This part should be a straight nipple. The part number is correct **9.750-058.0**; just the illustration is incorrect.

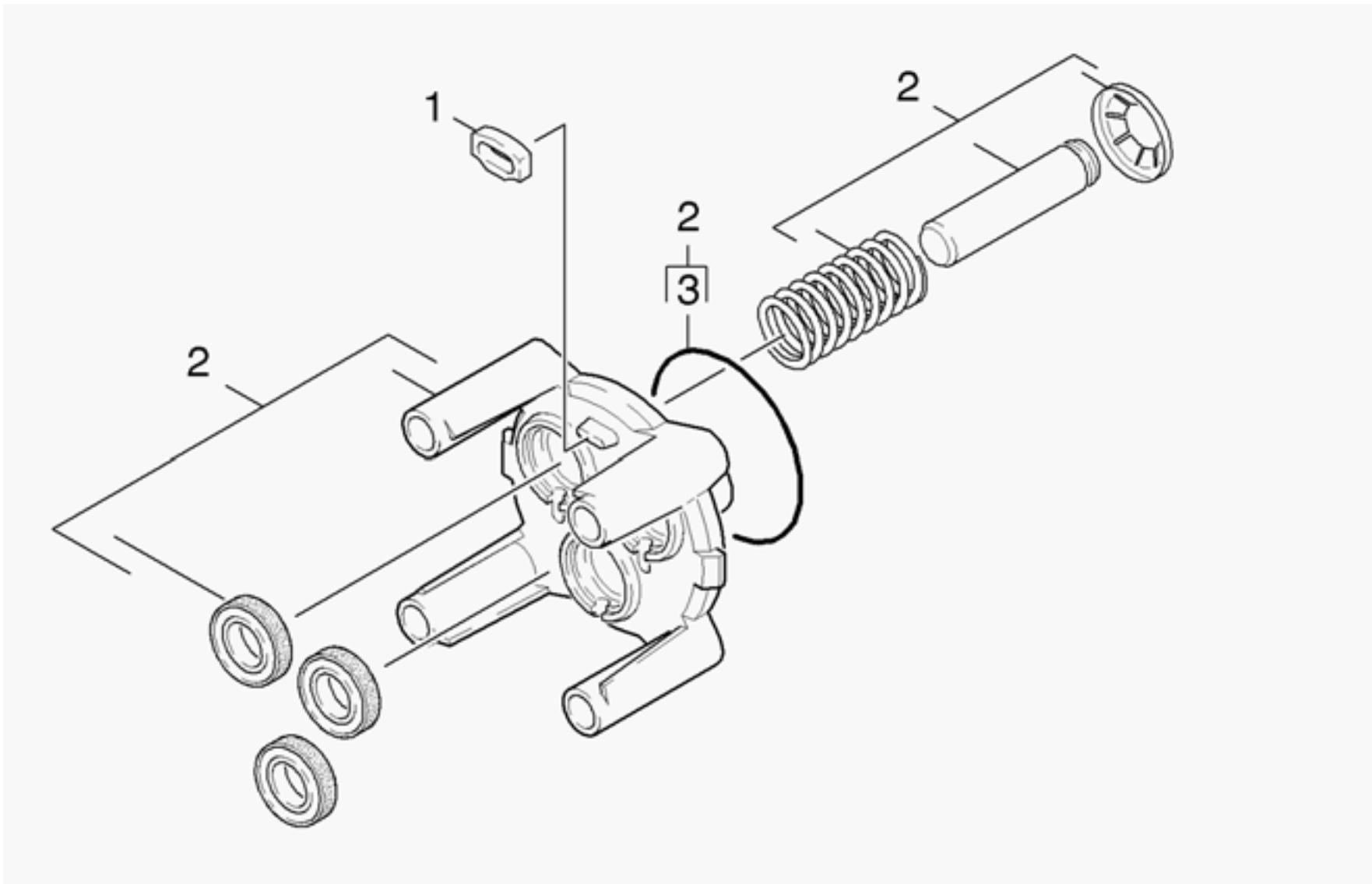
2.1 Housing



2.1 Housing

POS	DESCRIPTION ADDITIONAL INFORMATIONS	PART NO	QTY.	FROM SER.NR.	UP TO SER. NR.
1	H.P. head complete Spare Part	97601970	1		
2	Housing complete	97760370	1		
4	Spare parts set suction connection	90013750	1		
5	Suction connection replacement	97760380	1		
6	O-Ring d.17,86x2,62	90814200	1		
7	Metal fork	90391480	2		
8	Screw M 8x55 Class 8.8	90862000	4		
9	Detergent fitting assembly (CEN)	97500580	1		
10	Form seal	90814220	1		
11	Connection delivery side	90367030	1		
14	CAGE	90011070	1		
15	Spring	90470260	1		
16	INJECTOR	90011080	1		
17	O-Ring d. 10 x 2 NBR 70	63621510	1		

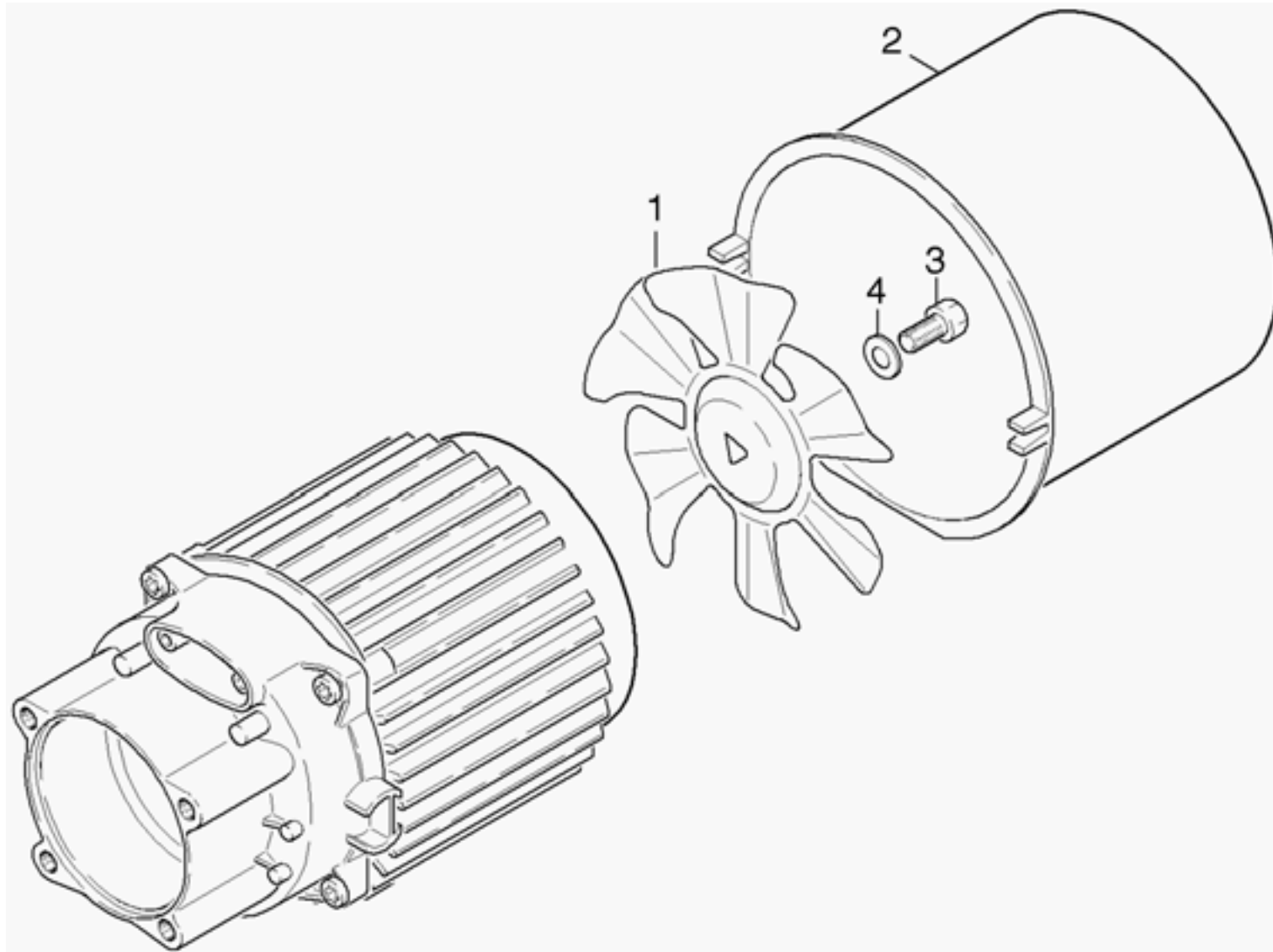
2.2 Thrust guidance



2.2 Thrust guidance

POS	DESCRIPTION ADDITIONAL INFORMATIONS	PART NO	QTY.	FROM SER.NR.	UP TO SER. NR.
1	Spacer - Seal	90480710	1		
2	THRUST kpl	90118520	1		
3	GASKET 61,6 X 2,62	63628260	1		

3.0 Motor



3.0 Motor

POS	DESCRIPTION ADDITIONAL INFORMATIONS	PART NO	QTY.	FROM SER.NR.	UP TO SER. NR.
1	Blower wheel	90391880	1		
2	FAN COVER	90370440	1		
3	Hexagonal head screw M8x16 -8.8-A2E ISO	73043950	1		
4	Serrated lock washer A8,4-FSt-A3E DIN67	73122330	1		

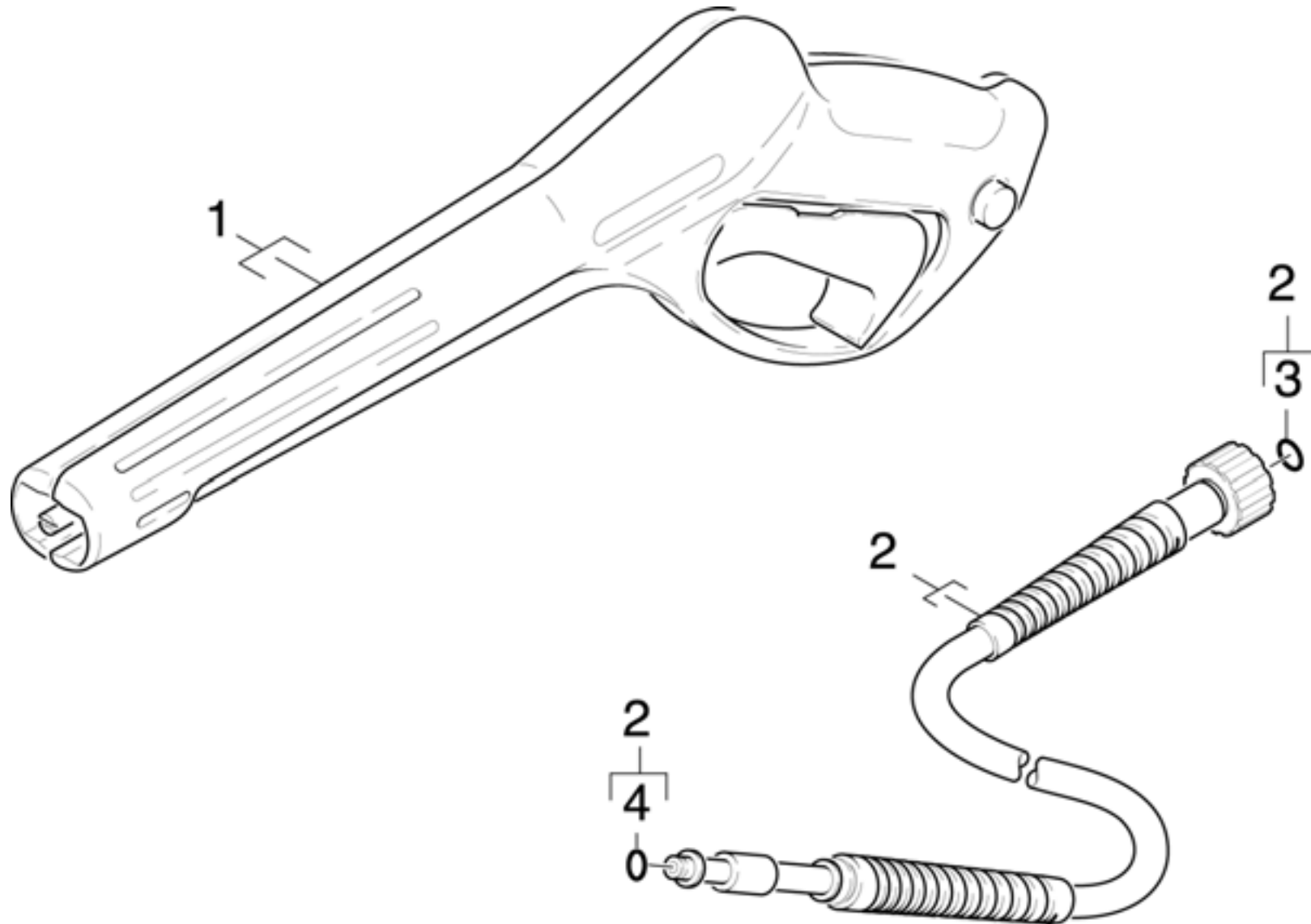
4.0 Accessories

4.1 Hand trigger gun

4.2 Jet pipe



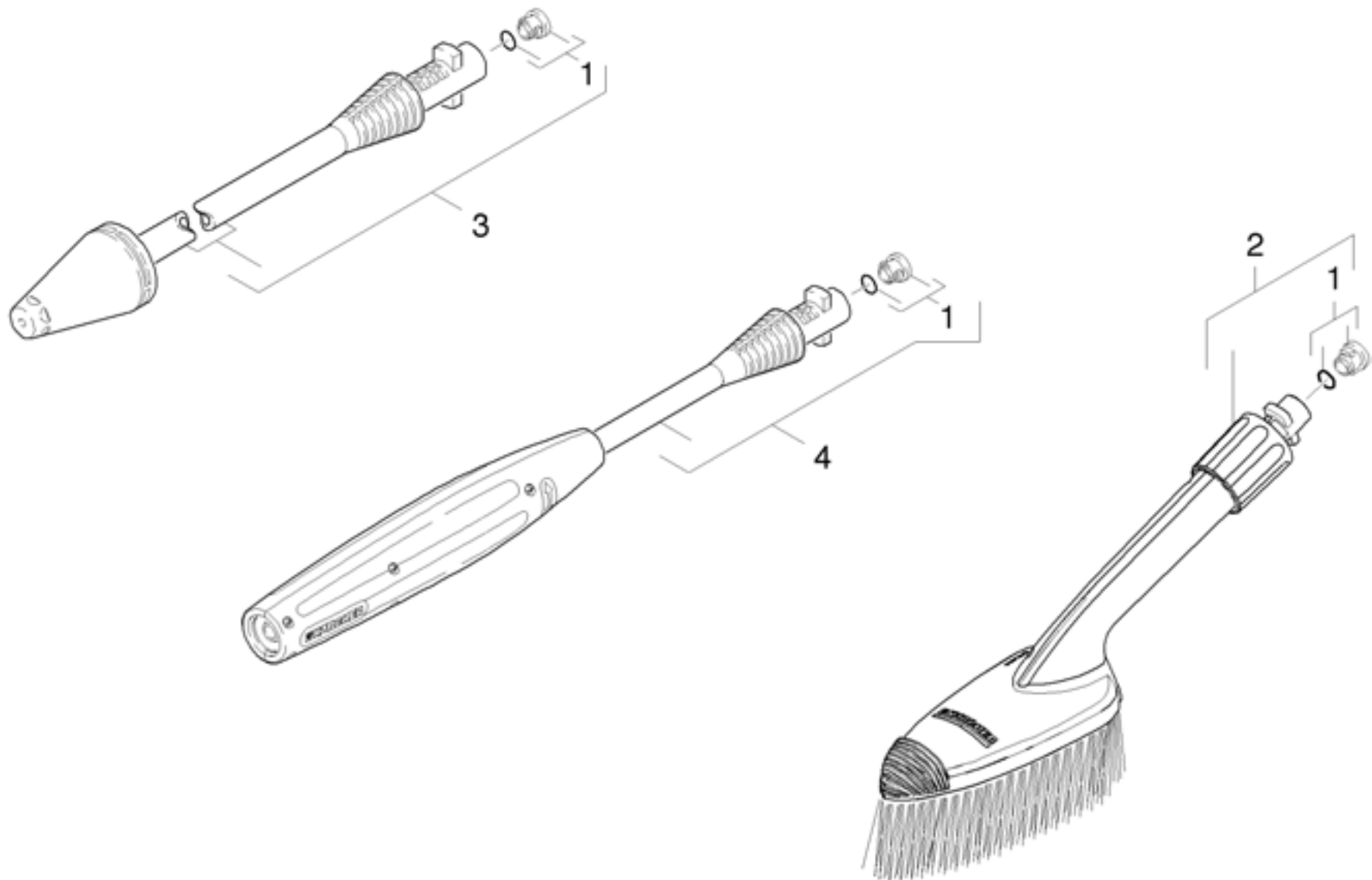
4.1 Hand trigger gun



4.1 Hand trigger gun

POS	DESCRIPTION ADDITIONAL INFORMATIONS	PART NO	QTY.	FROM SER.NR.	UP TO SER. NR.
1	PISTOL	47753310	1		
2	High pressure hose 6/11MPA, neutr.,40G,M	63915710	1		
3	O RING SET HD 555	28801540	1		
4	O-Ring seal 6,75x1,78 NBR 70	63624980	1		

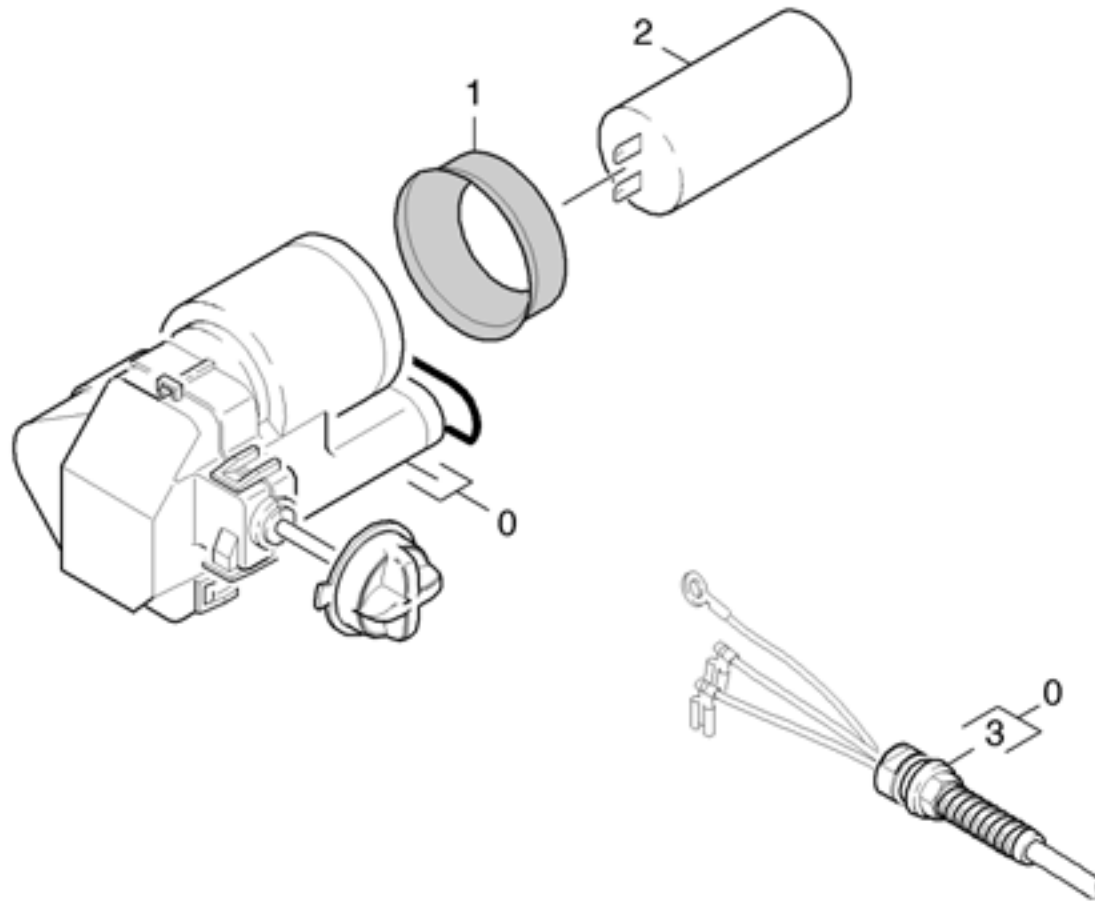
4.2 Jet pipe



4.2 Jet pipe

POS	DESCRIPTION ADDITIONAL INFORMATIONS	PART NO	QTY.	FROM SER.NR.	UP TO SER. NR.
1	O-Ring seal set	26407290	1		
2	Wash brush packed	26405890	1		
3	ROTARY NOZZLE	47639910	1		
4	VPS K3 0225 K	47605850	1		

5.0 Electric box



5.0 Electric box

POS	DESCRIPTION ADDITIONAL INFORMATIONS	PART NO	QTY.	FROM SER.NR.	UP TO SER. NR.
0	Electric box complete	97760390	1		
1	Capacitor Sealing ring d.45, 70 Shore	90804210	1		
2	Capacitor 60uF (6.661-196)	97602050	1		
3	Cable with plug	90841490	1		